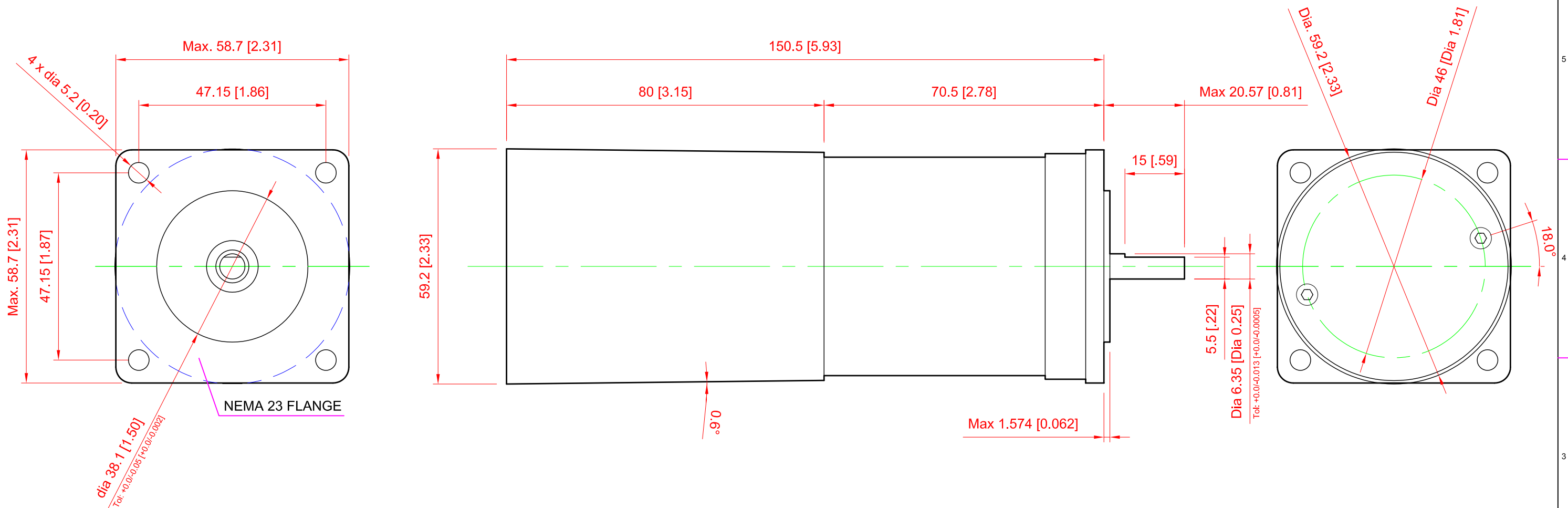
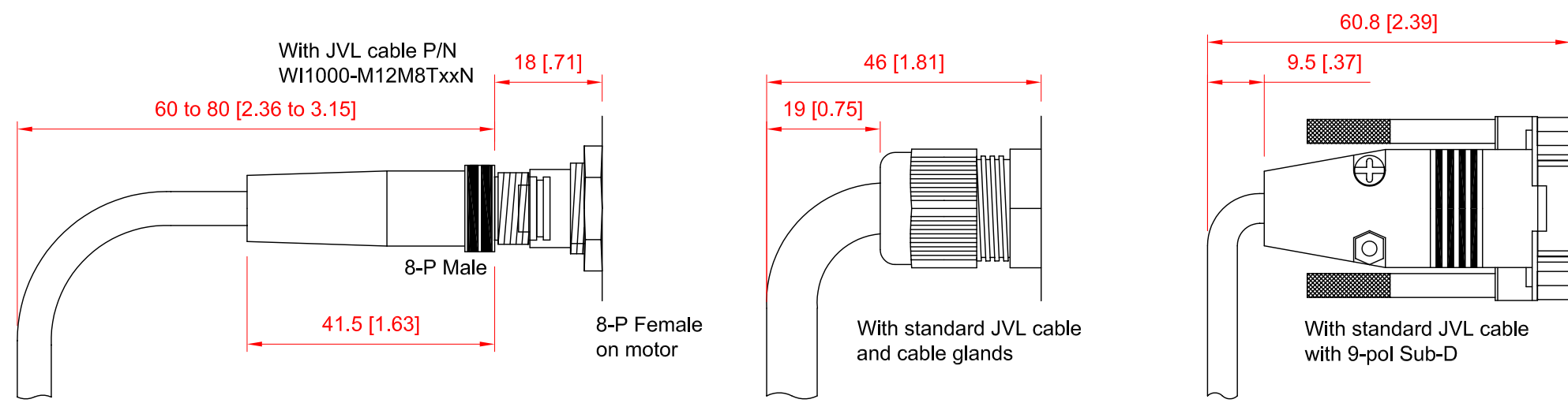


Ref. No.	Revision	Date	Sign.
-	-	-	-



Different connection possibilities, depending on the choice of Expanding module:



Measurers: mm [inches]

Scale 1 : 1 A3		JVL Industri Elektronik. Integration In Motion Bløkken 42 DK-3460 Birklerød, Denmark Phone: +45 45 82 44 40 Fax: +45 45 82 55 50 E-mail: jvl@jvl.dk http://www.jvl.dk	Draw No. LT0101-10GB
Drawn by PCR	Date 240907	MAC motor AC-servo motor with integrated driver MAC140. Type A1	
Checked	Approved	Draw No. LT0101-10GB	