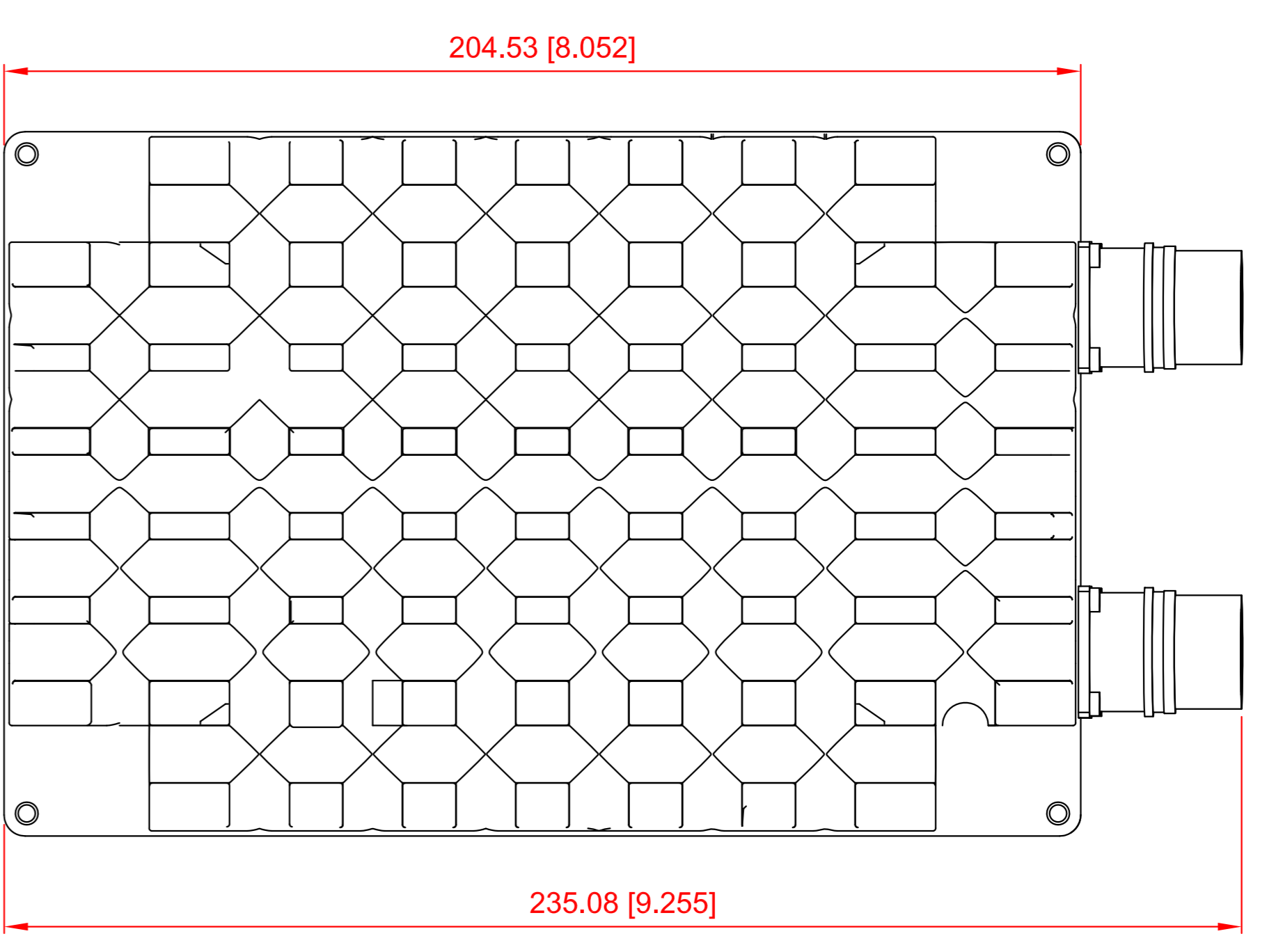
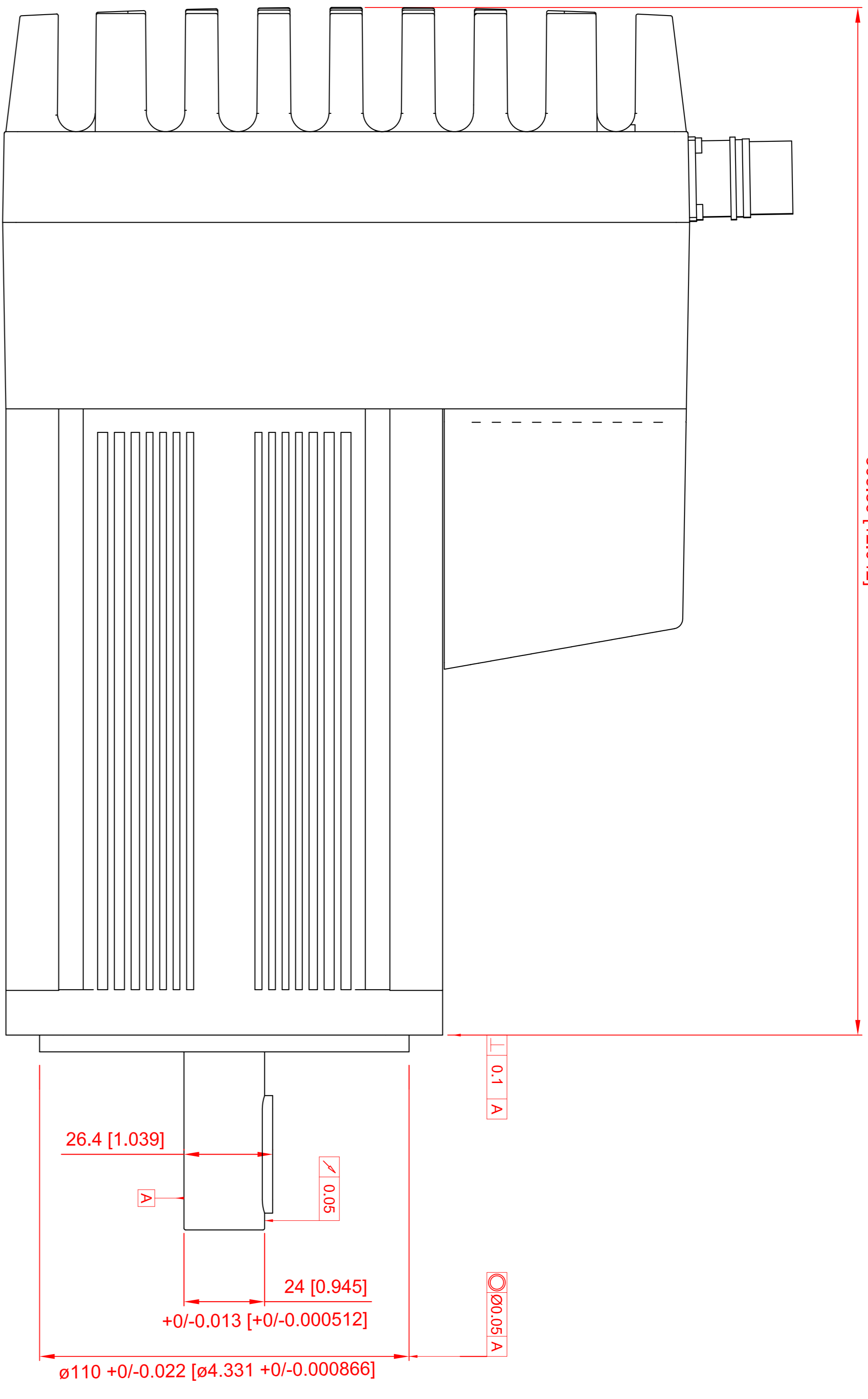
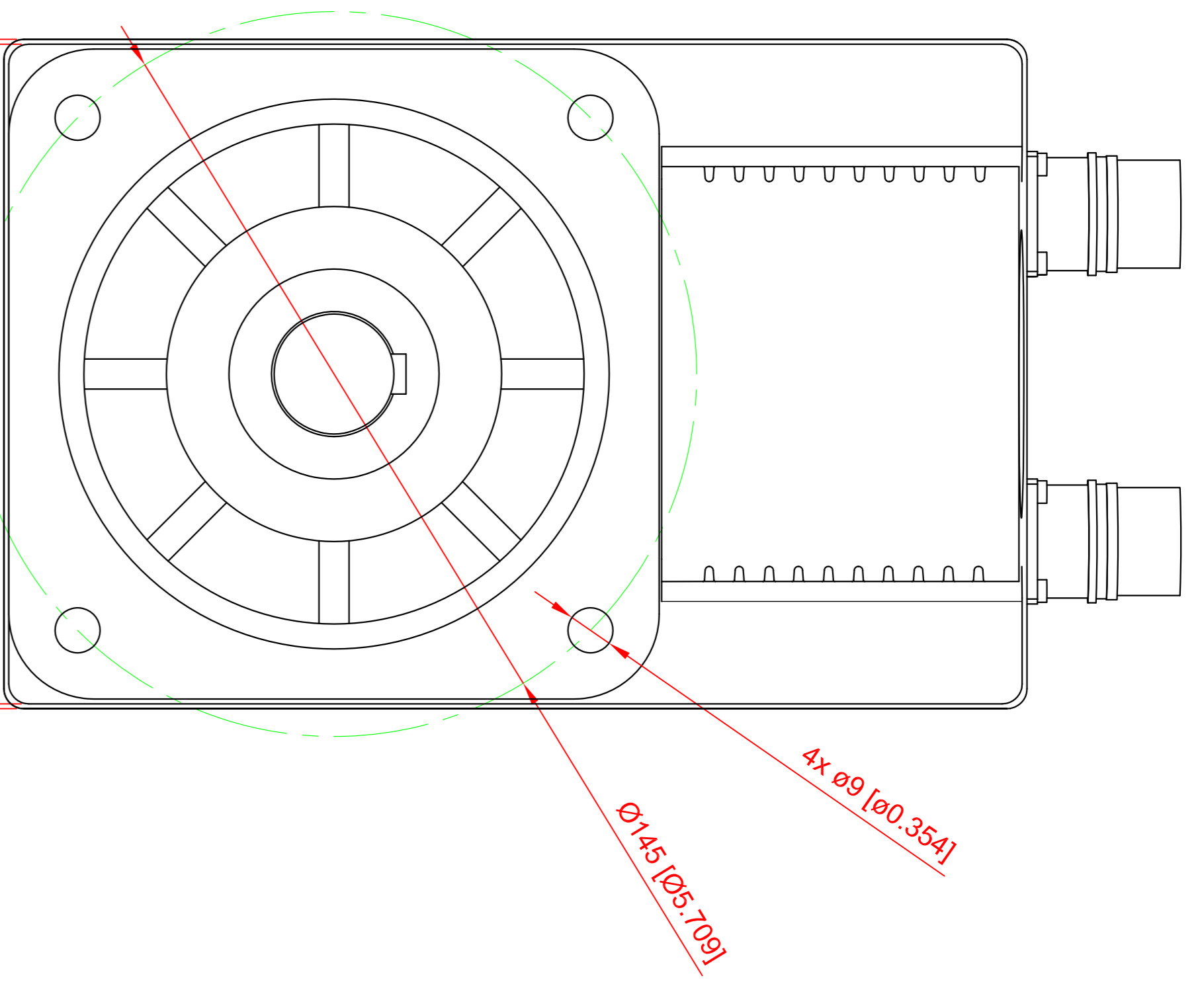


305.86 [12.042]

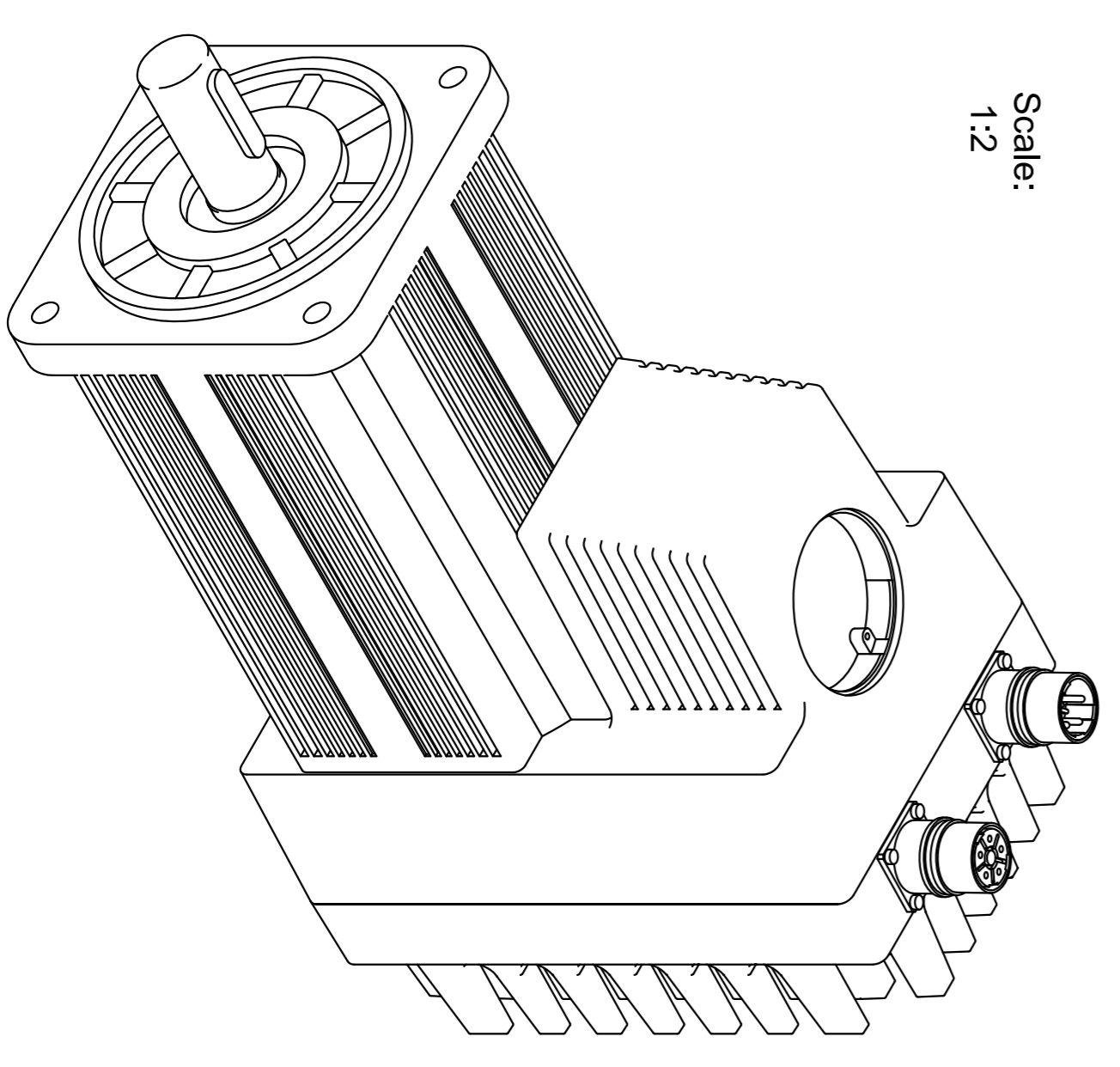


132 [5.2]
134 +0.5/-0.2 [5.278 +0.02/-0.00079]

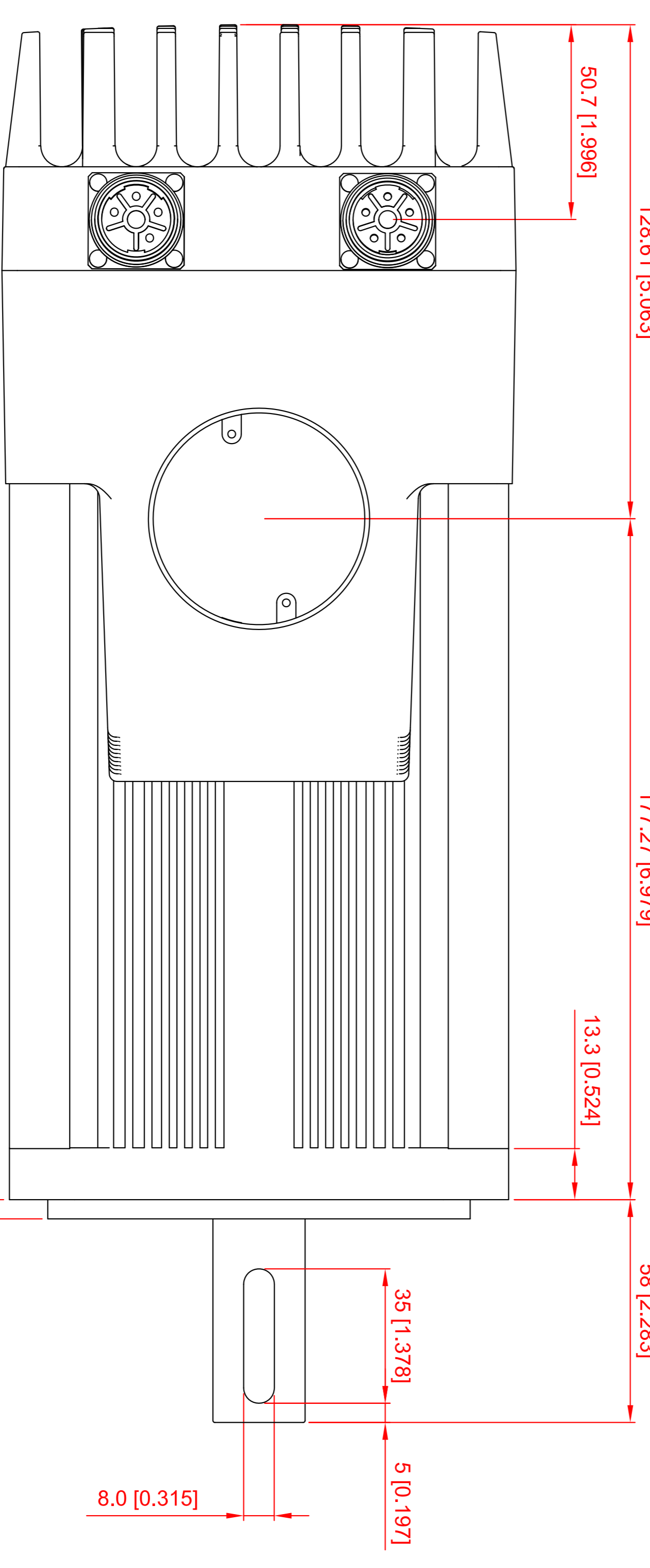
4x ø9 [ø0.354]
Ø145 [ø5.709]

50.7 [1.996]
128.61 [5.063]
177.27 [6.979]
13.3 [0.524]
58 [2.283]
35 [1.378]
5 [0.197]
8.0 [0.315]

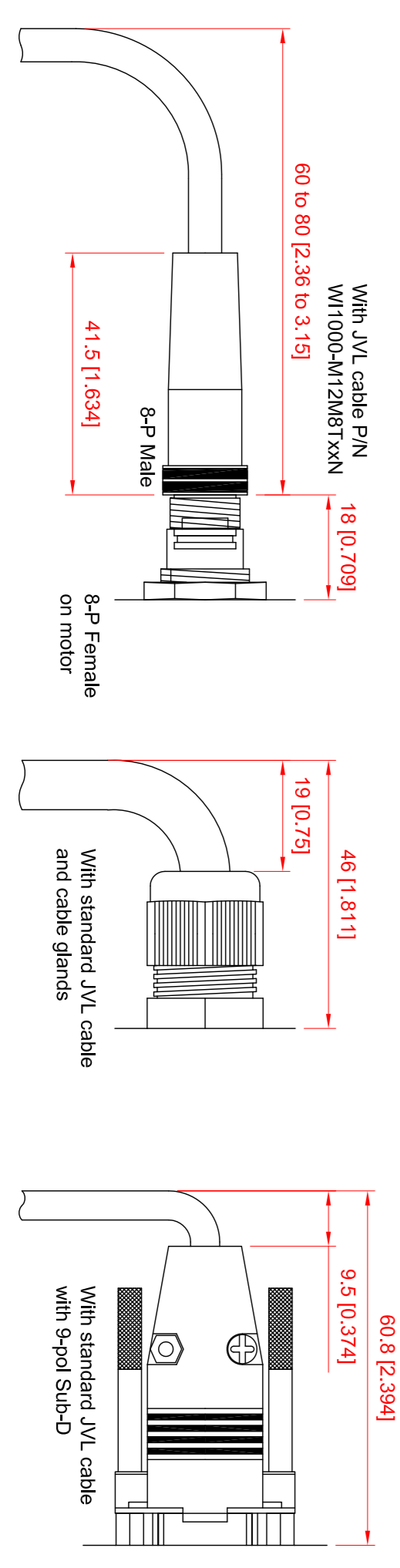
0.1 [A]
0.05
24 [0.945]
+0/-0.013 [+0/-0.000512]
Ø0.05 [A]
26.4 [1.039]



Scale:
1:2



Different connection possibilities, depending on the choice of Expanding module:



Scale	1:1		JVL Intelligent Electronics Department of Research and Development P.O. Box 442 82 50 1900 CA, Ontario, Canada Tel: +1 519 887 1338 Fax: +1 519 887 1339
Sheet No.	A1		
Drawn by	POB		MAC1500-D5 AC Servo motor with integrated driver and Brake 1500 W 4.5 Nm
Date	19-03-14		
Checked			LT0217-13GB
Approved			
Drawn No.	LT0217-13GB		