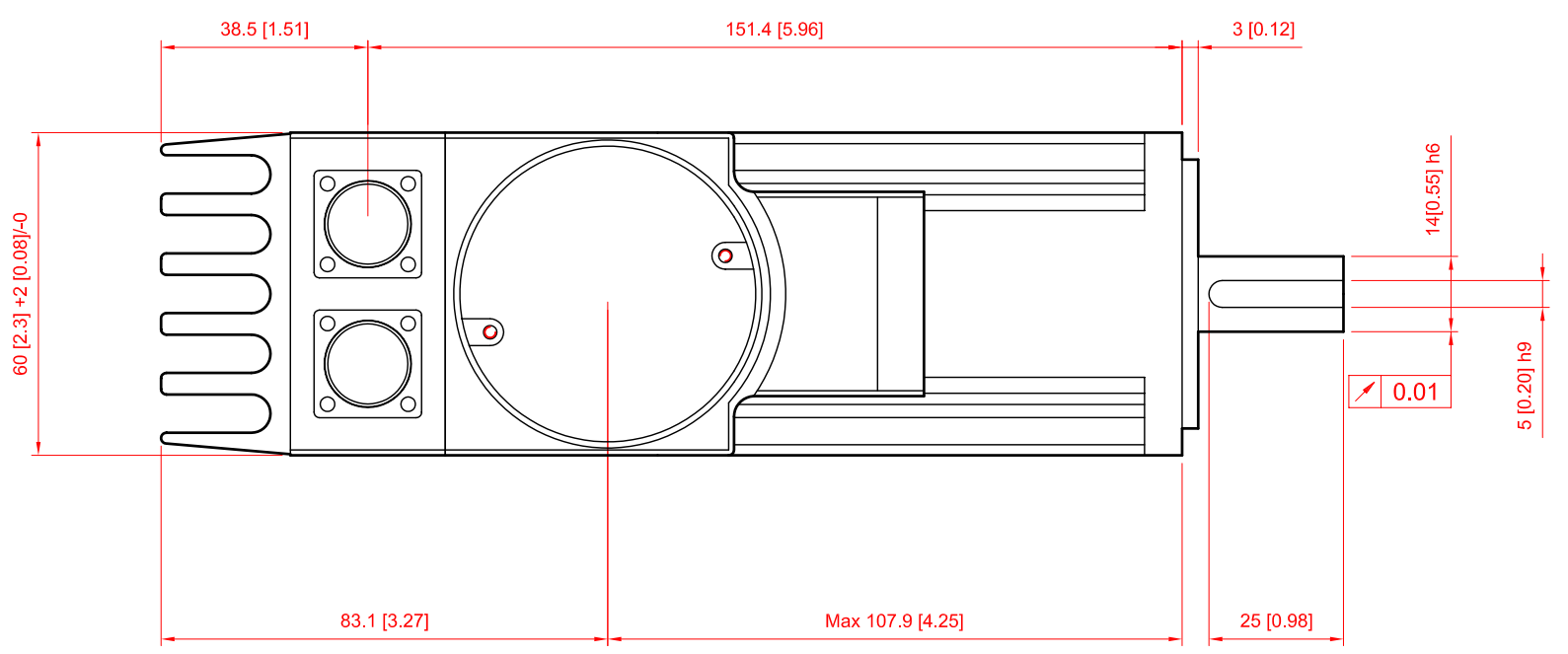
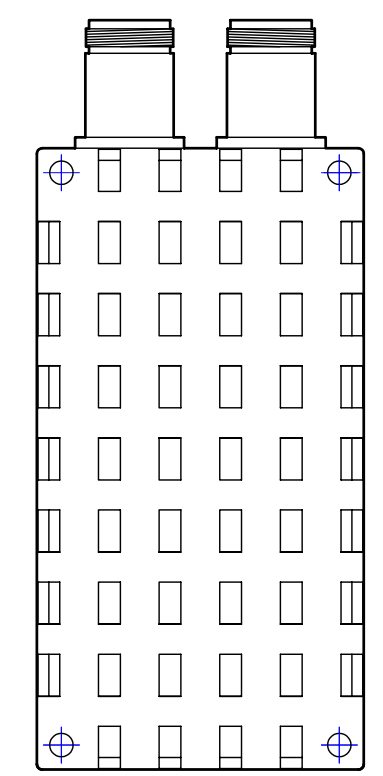
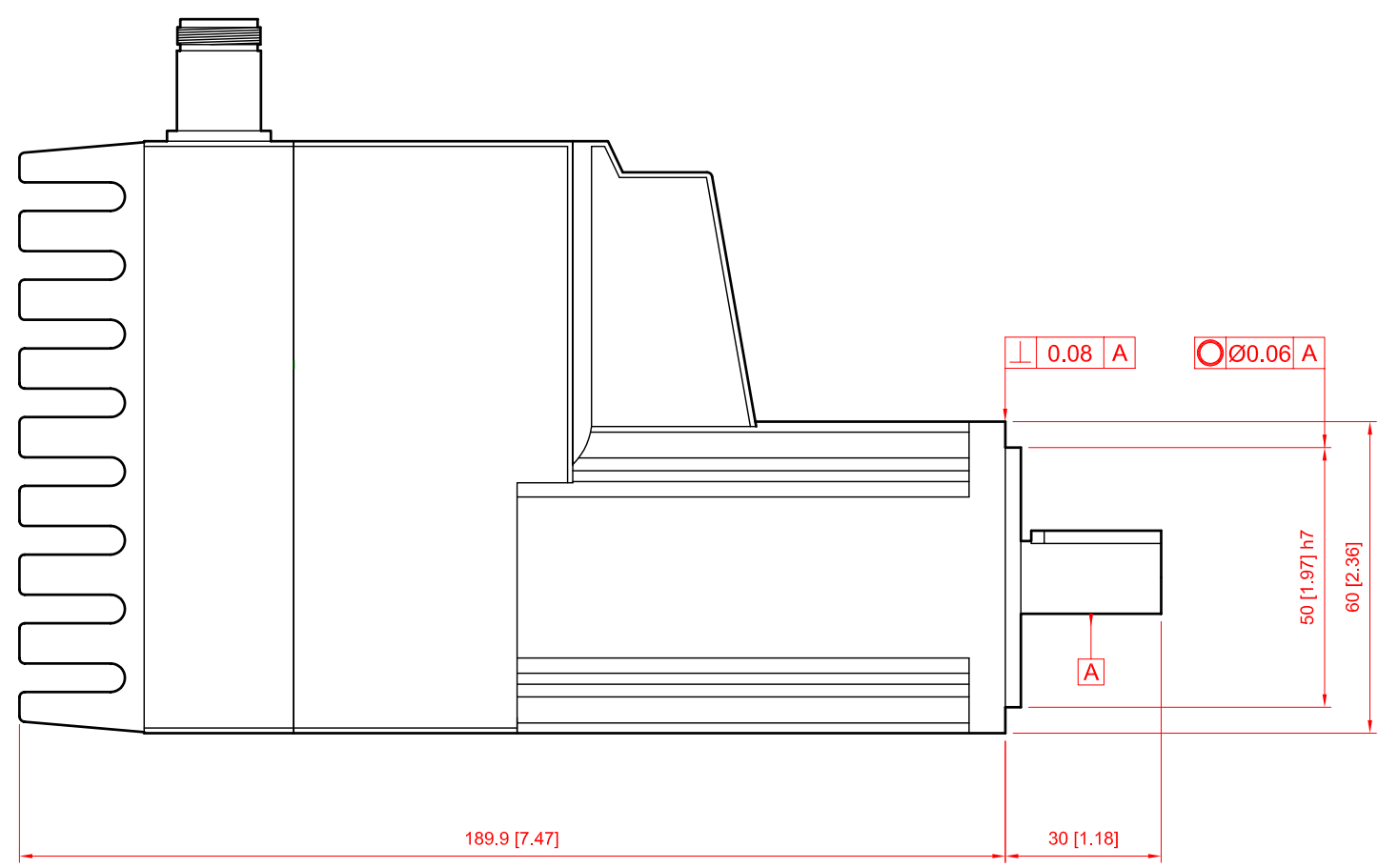
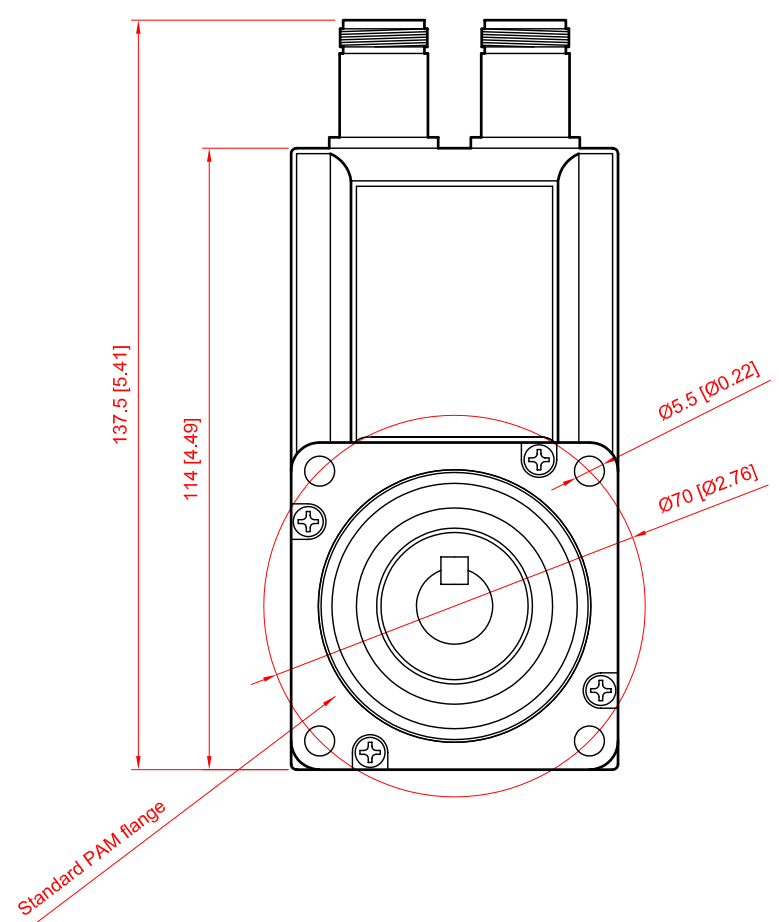
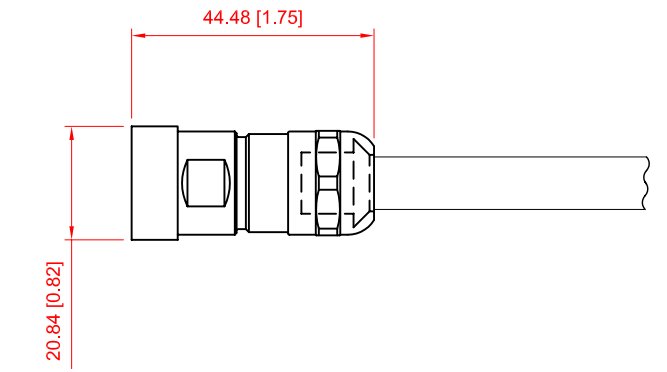
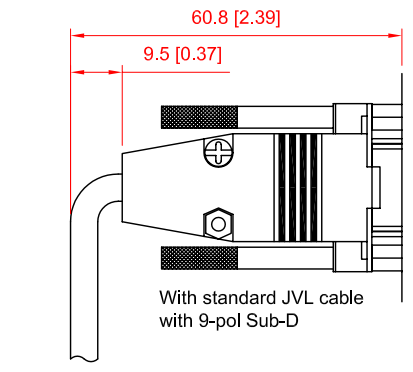
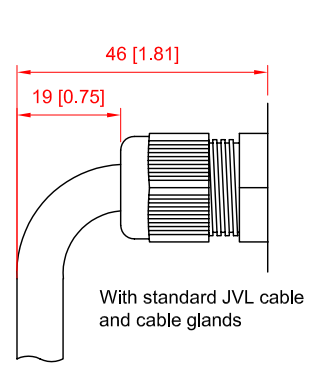
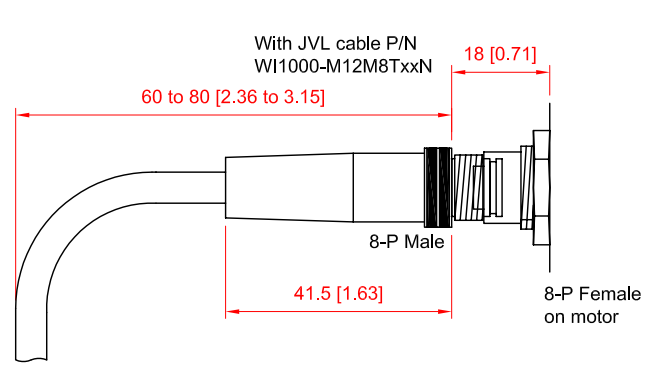


Ref. No.	Revision	Date	Slgn.
V-11	Adjusted	021209	PCR



Different connection possibilities, depending on the choice of Expanding module:

Power and external brake connection:



Measurers: mm [inches]

Scale 1:1 A2	<p>JVL Industri Elektronik Integration in Motion</p> <p>Blokken 42 DK-3460 Birkerød, Denmark Phone: +45 45 82 44 40 Fax: +45 45 82 55 50 E-mail: jvl@jvl.dk http://www.jvl.dk</p>	<p>MAC 400-D2 AC Servo motor with integrated driver. 400 W 1.28 Nm/3000 RPM</p>	<p>Drawn No. LT0119</p>
<p>Drawn by: PCR Date: 120908 Checked: Approved:</p>			