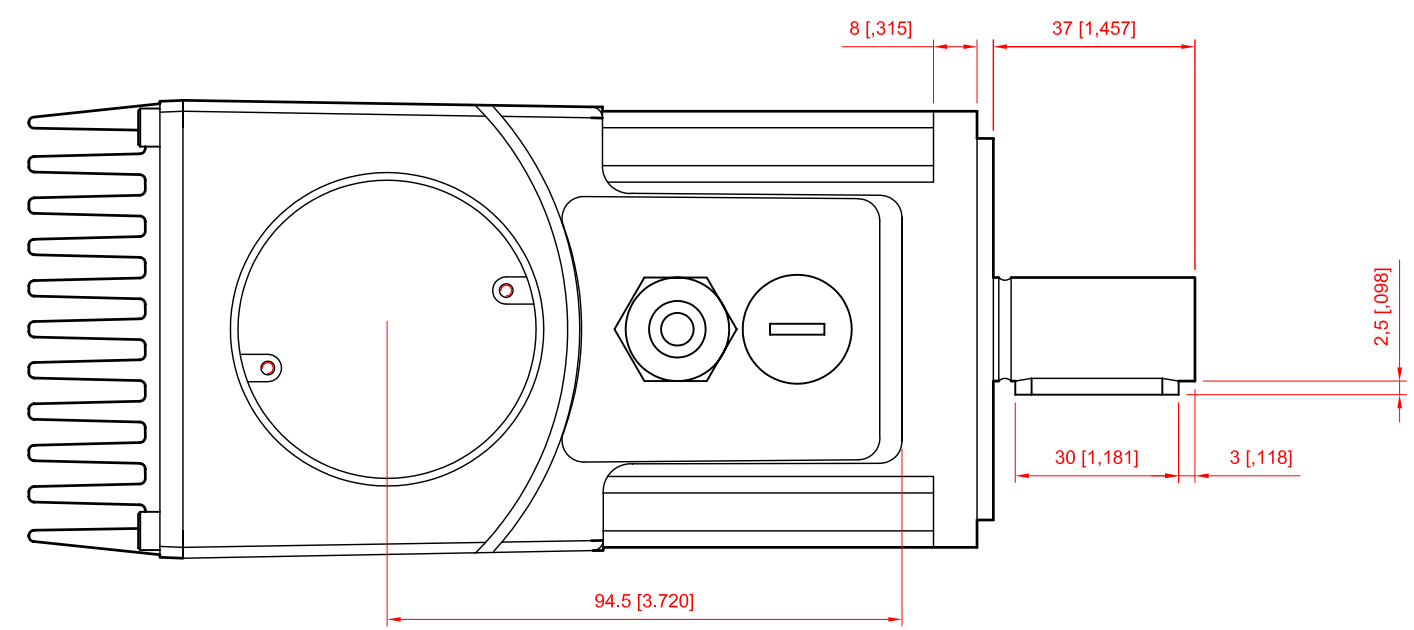
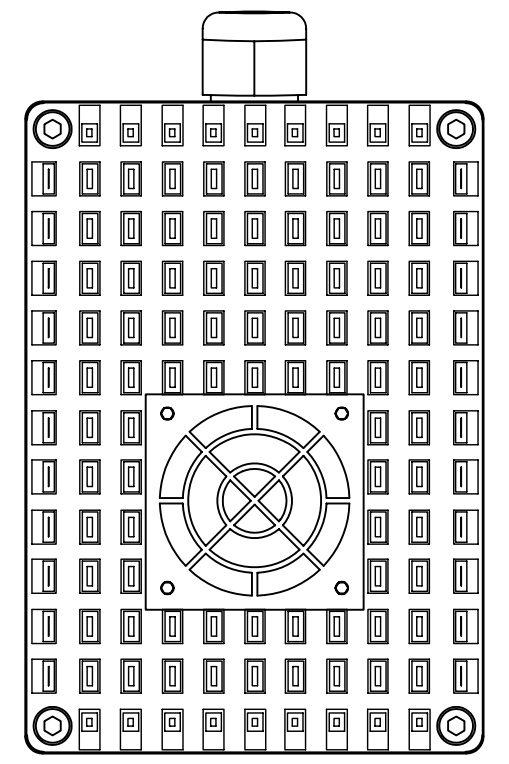
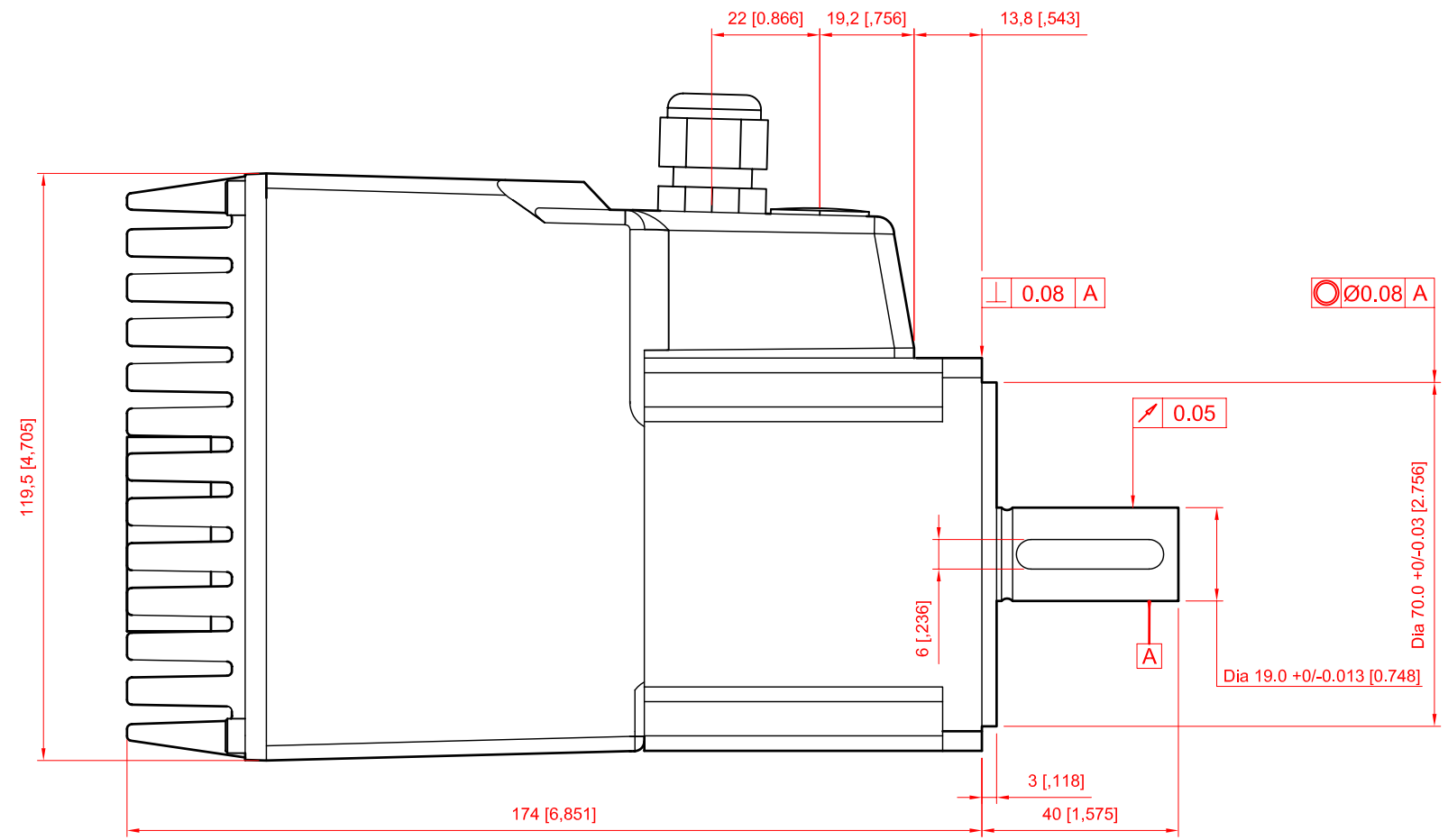
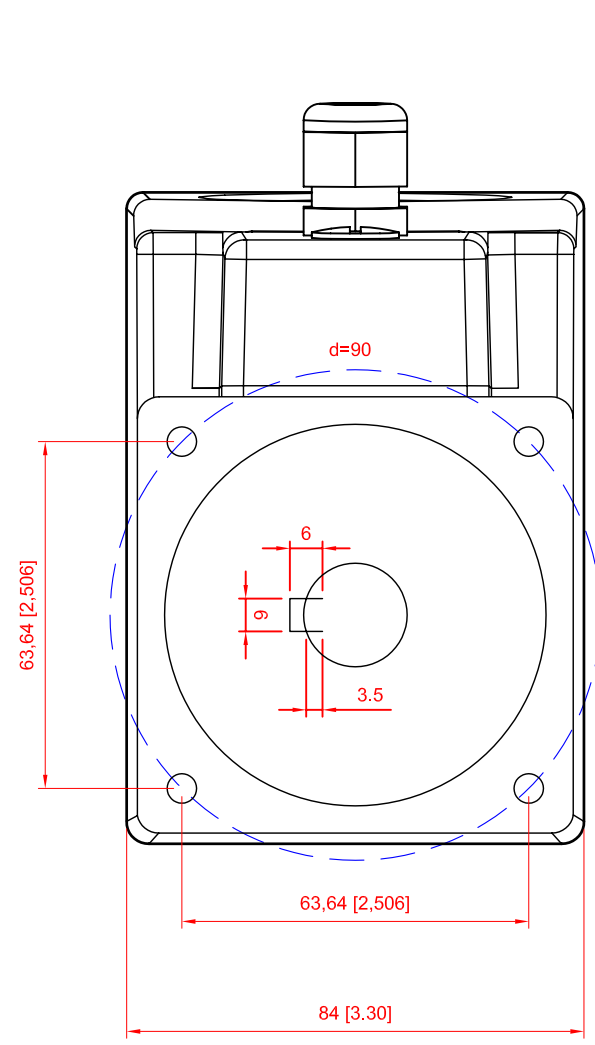
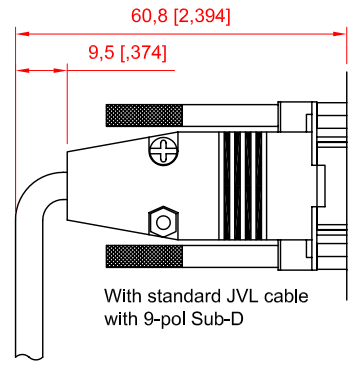
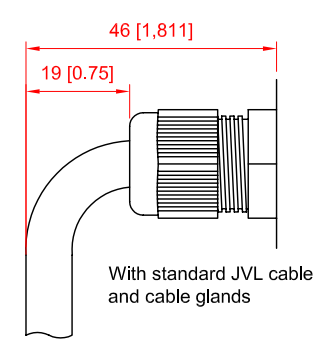
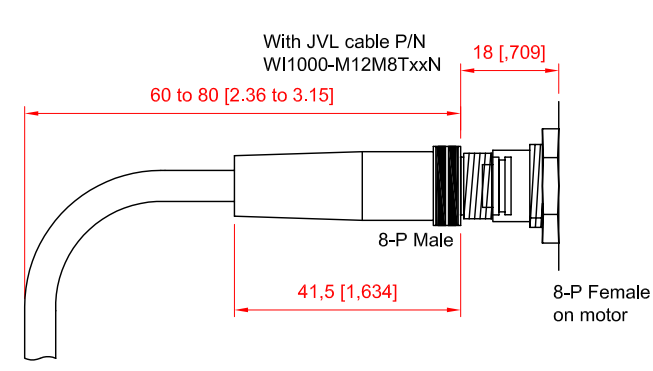


Ref. No.	Revision	Date	Sign.
-	-	-	-



Different connection possibilities, depending on the choice of Expanding module:



Scale 1:1 A2	<p><b>JVL Industri Elektronik</b> Integration in Motion</p> <p>Blokken 42 DK-3460 Birkerød, Denmark Phone: +45 45 82 44 40 Fax: +45 45 82 55 50 E-mail: jvl@jvl.dk http://www.jvl.dk</p>	<p>Drawn by: PCR Date: 181207 Checked: Approved:</p>	<p><b>MAC800-D2 AC-servo motor with intergrated driver. 750 W 2,4 Nm/3000 RPM</b></p>	<p>Draw No. <b>LT0105-10GB</b></p>