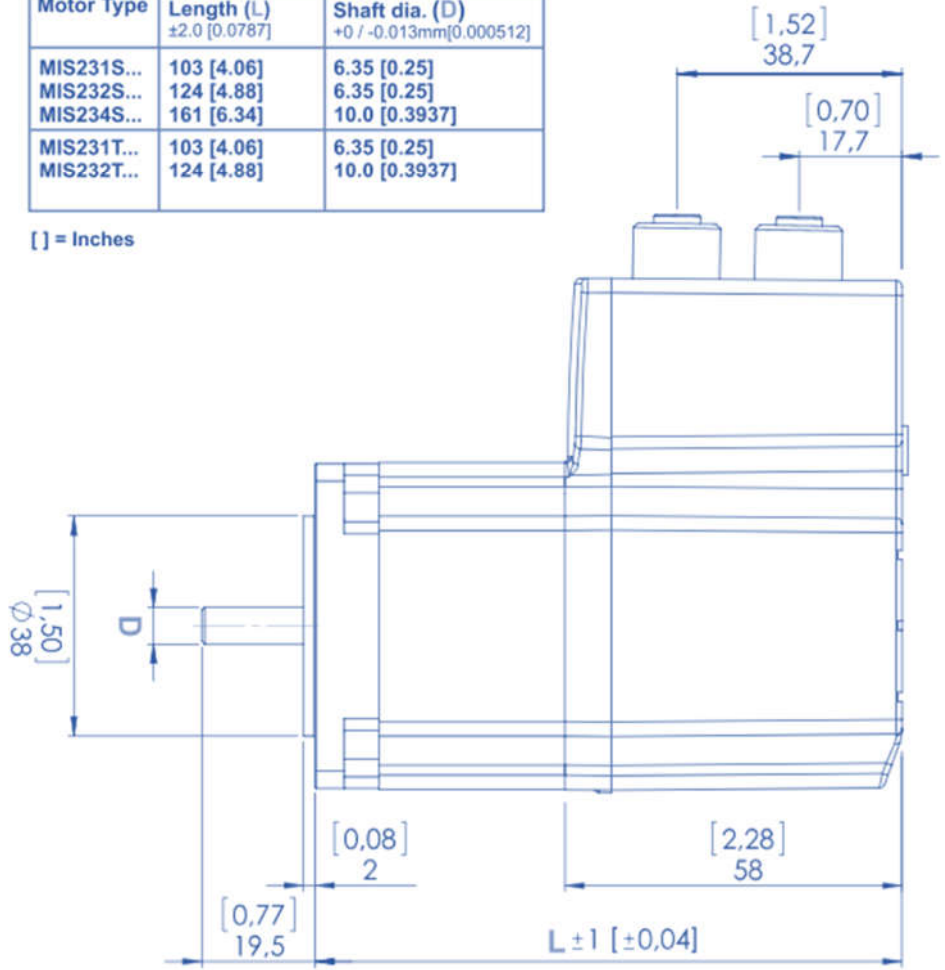


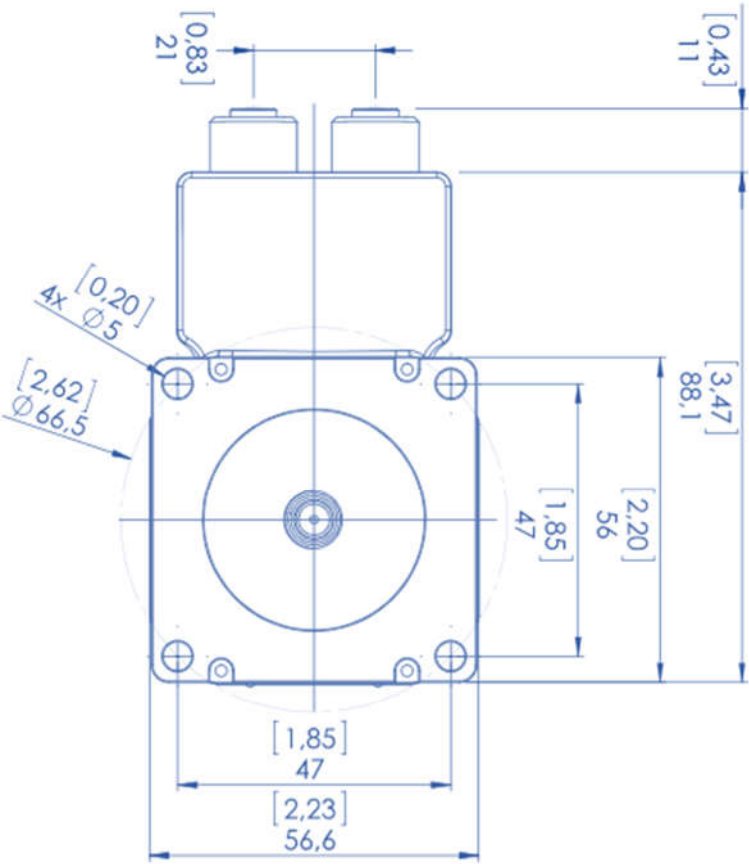
Maßblätter MIS 23x Schrittmotor

Motor Type	Length (L) ±2.0 [0.0787]	Shaft dia. (D) +0 / -0.013mm[0.000512]
MIS231S...	103 [4.06]	6.35 [0.25]
MIS232S...	124 [4.88]	6.35 [0.25]
MIS234S...	161 [6.34]	10.0 [0.3937]
MIS231T...	103 [4.06]	6.35 [0.25]
MIS232T...	124 [4.88]	10.0 [0.3937]

[] = Inches



This drawing covers only motor type MIS23xS and MIS23xT with radial connectors



Motor Type	Length (L) ±2.0 [0.0787]	Shaft dia. (D) +0 / -0.013mm[0.000512]
MIS231Q...	103 [4.06]	6.35 [0.25]
MIS232Q...	124 [4.88]	6.35 [0.25]
MIS234Q...	161 [6.34]	10.0 [0.3937]
MIS231R...	103 [4.06]	6.35 [0.25]
MIS232R...	124 [4.88]	10.0 [0.3937]

[] = Inches

This drawing covers only motor type MIS23xQ
and MIS23xR with radial connectors

