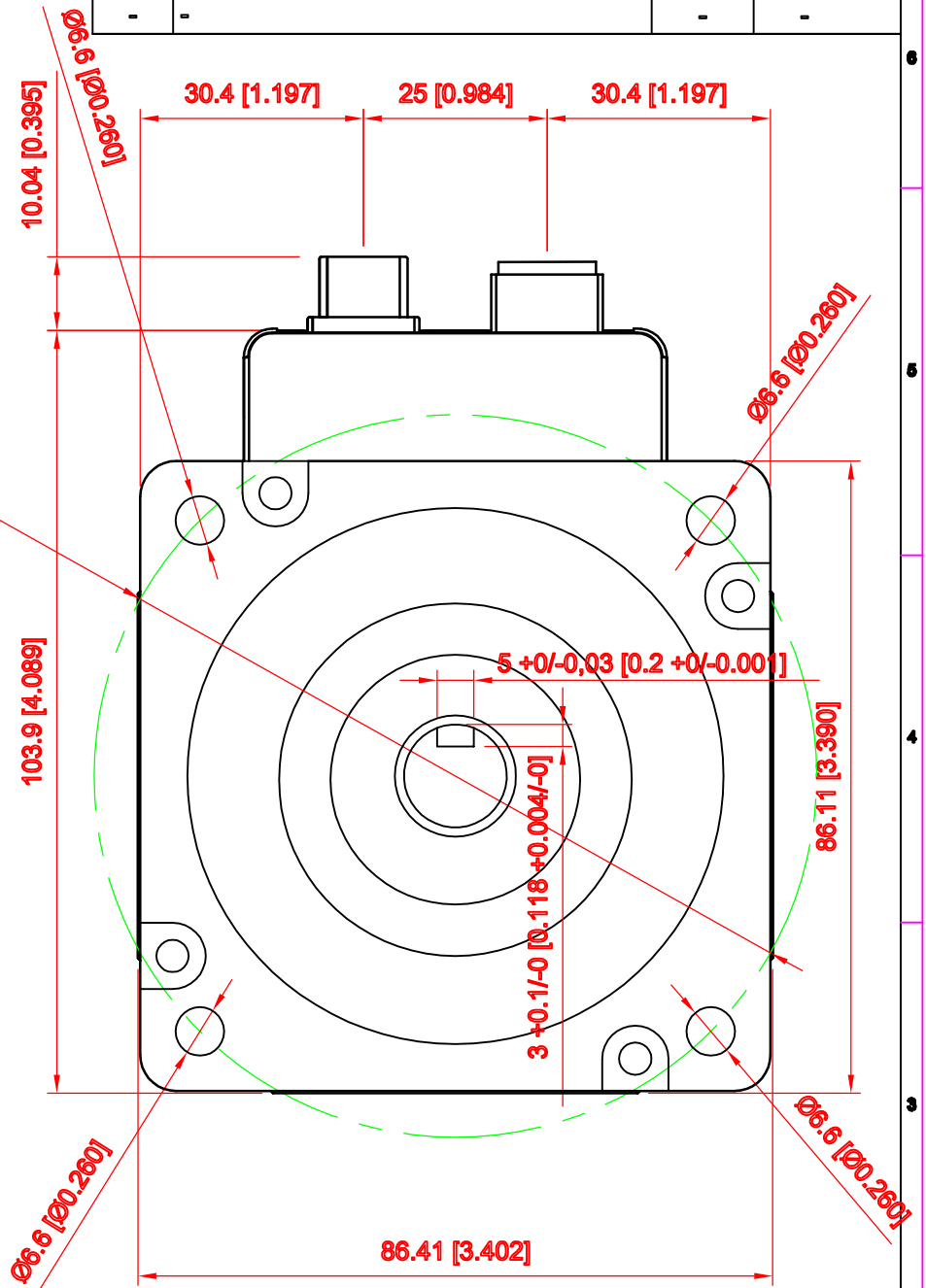
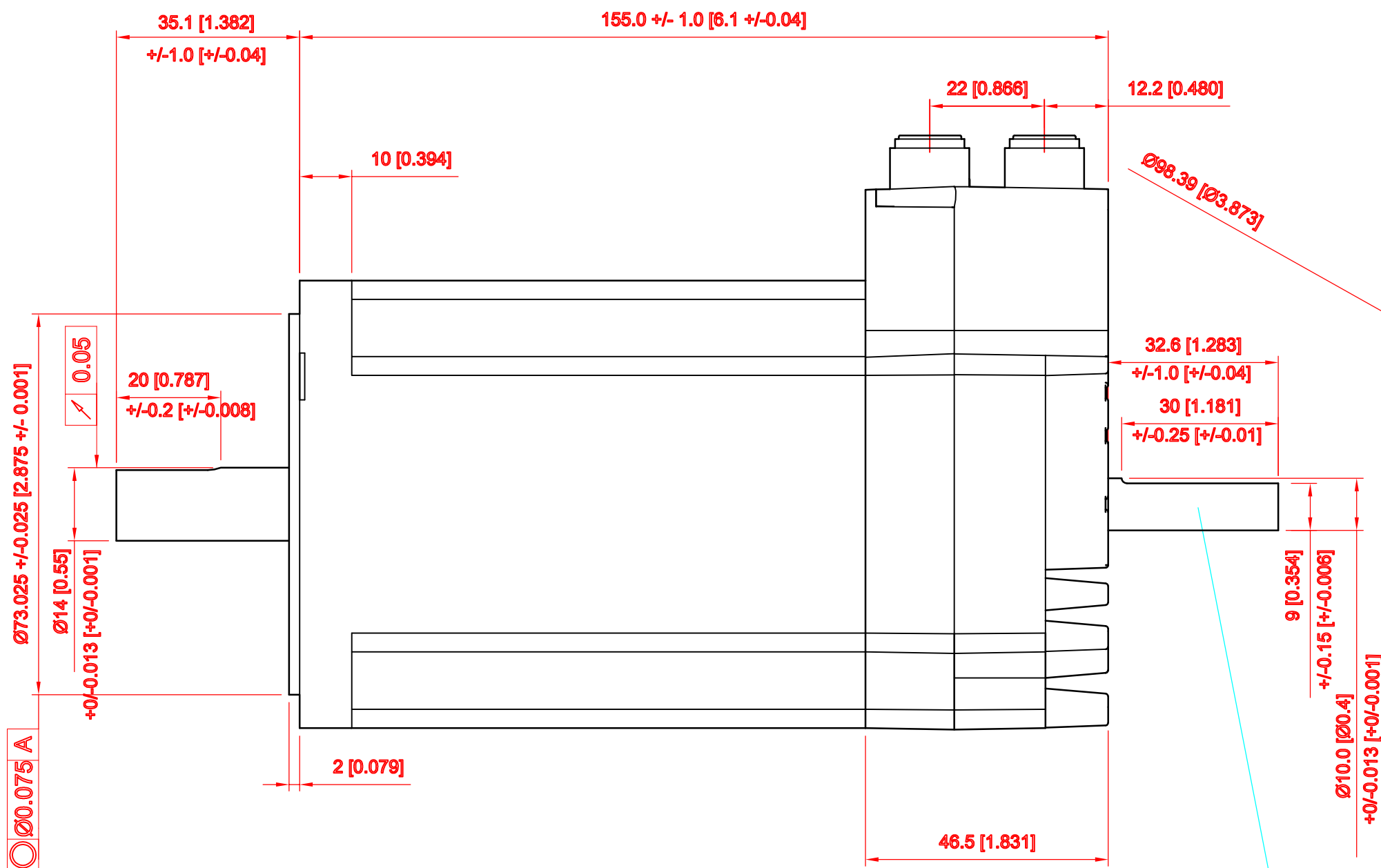
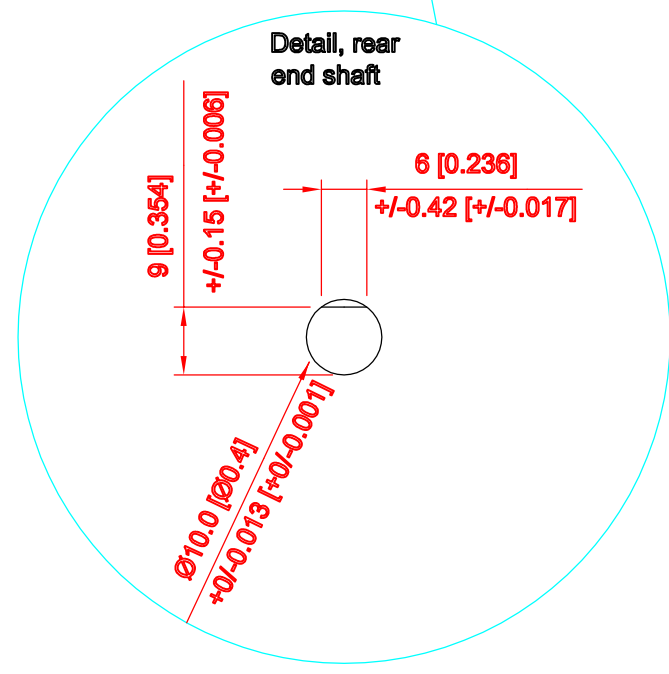
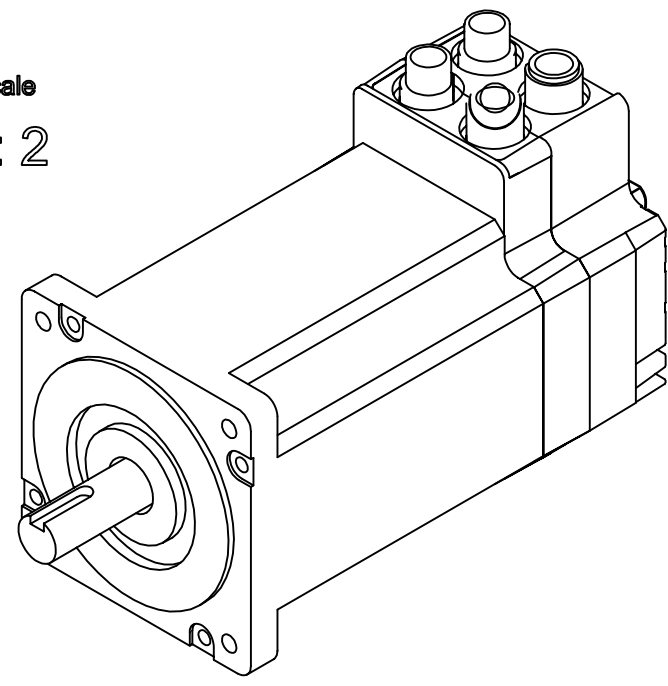

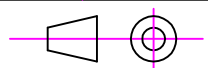


Ref. No.	Revision	Date	Sign.
-	-	-	-



Scale  
1 : 2



Scale 1 : 1 A3		<b>JVL Industri Elektronik.</b> <i>Integration in Motion</i>		Draw No. <b>LT0194-13GB</b>
Drawn by <b>PCR</b>		<b>MIS342C15xxxx85</b>		
Date <b>211111</b>			Blokian 42 DK-3460 Birkerød, Denmark Phone: +45 45 82 44 40 Fax: +45 45 82 55 80 E-mail: jvl@jvl.dk http://www.jvl.dk	
Checked  Approved  				
		Draw No. <b>LT0194-13GB</b>		