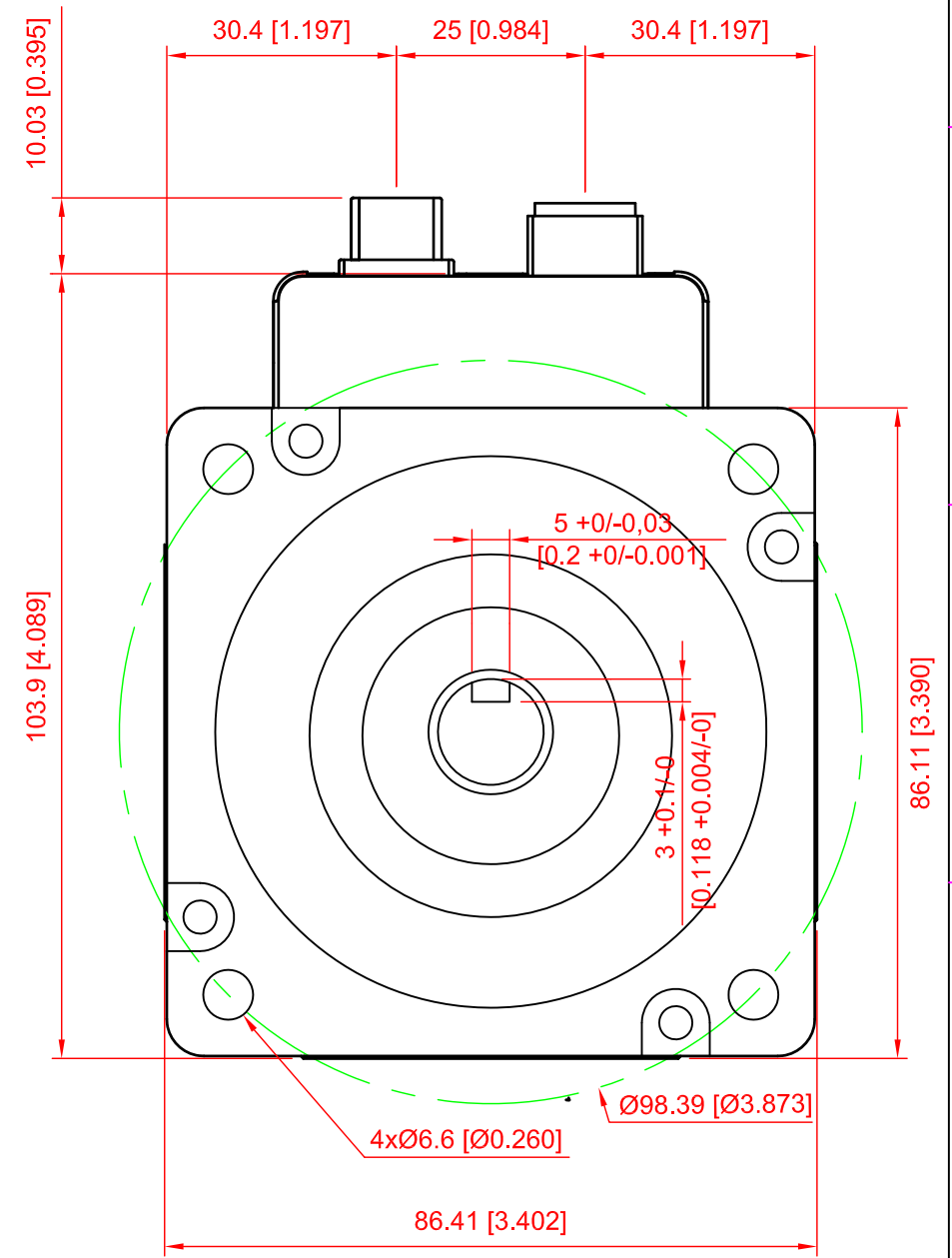
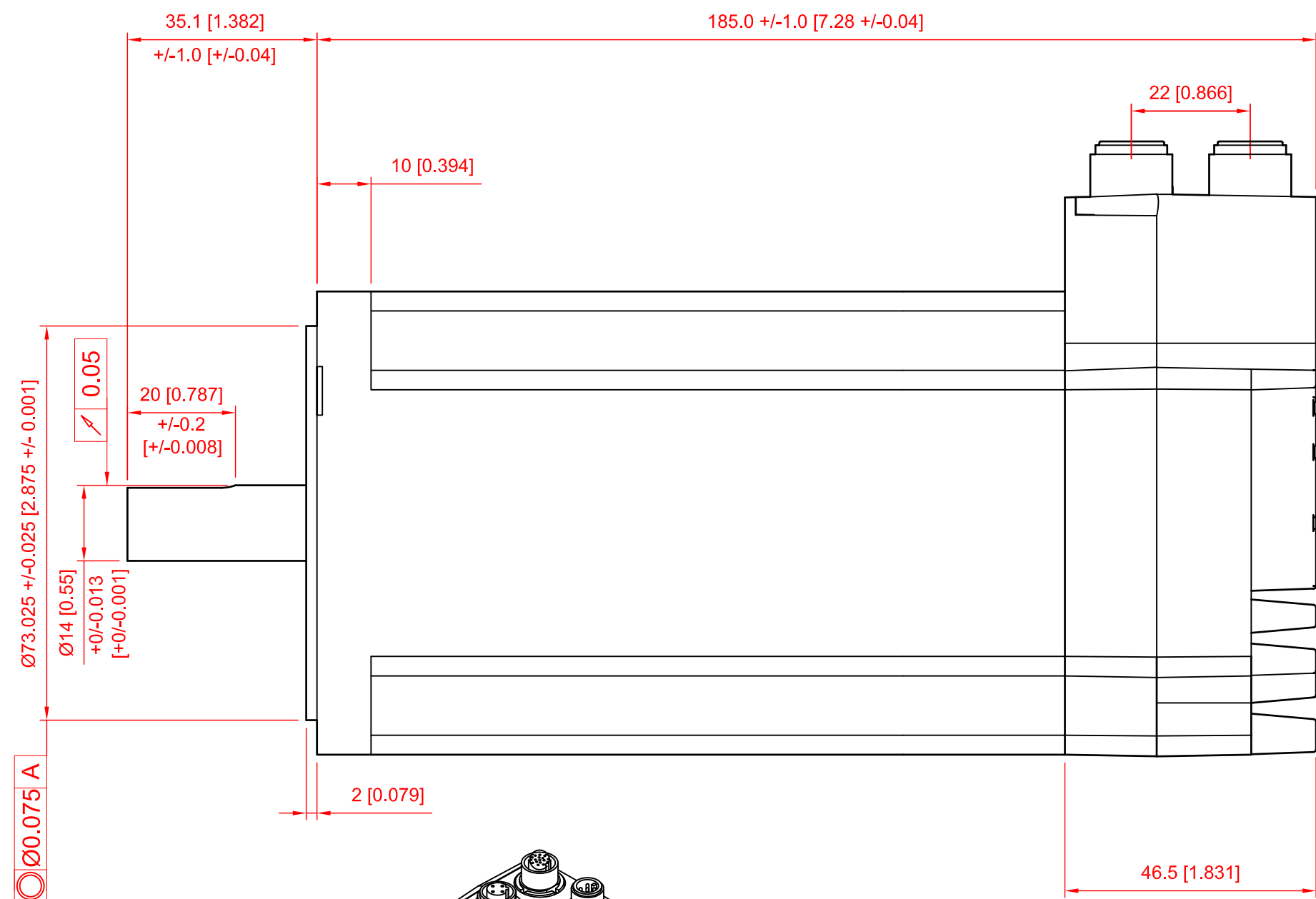
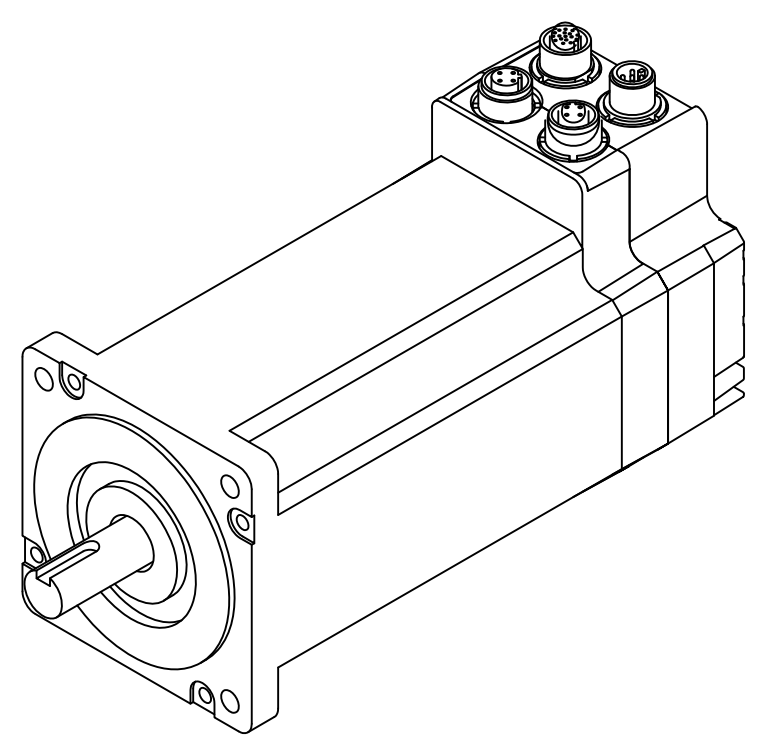


Ref. No.	Revision	Date	Sign.
-	-	-	-



Scale  
1 : 2



Scale 1 : 1 A3		JVL Industri Elektronik. Integration In Motion Bløkken 42 DK-3460 Birklerød, Denmark Phone: +45 45 82 44 40 Fax: +45 45 82 55 50 E-mail: jvl@jvl.dk http://www.jvl.dk	Draw No. LT0346-10GB
Drawn by PCR	MIS343C14xxxx85		
Date 080715			
Checked			
Approved			
		Draw No. LT0346-10GB	