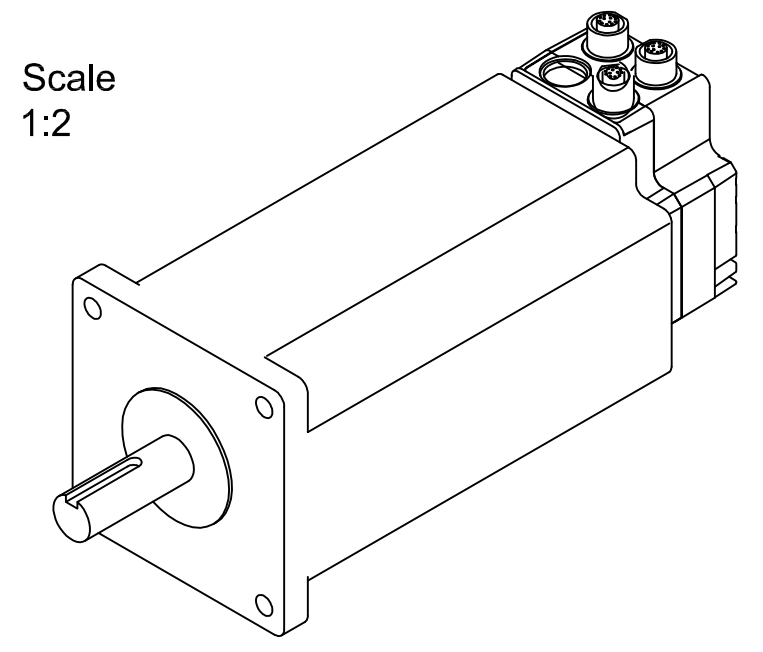
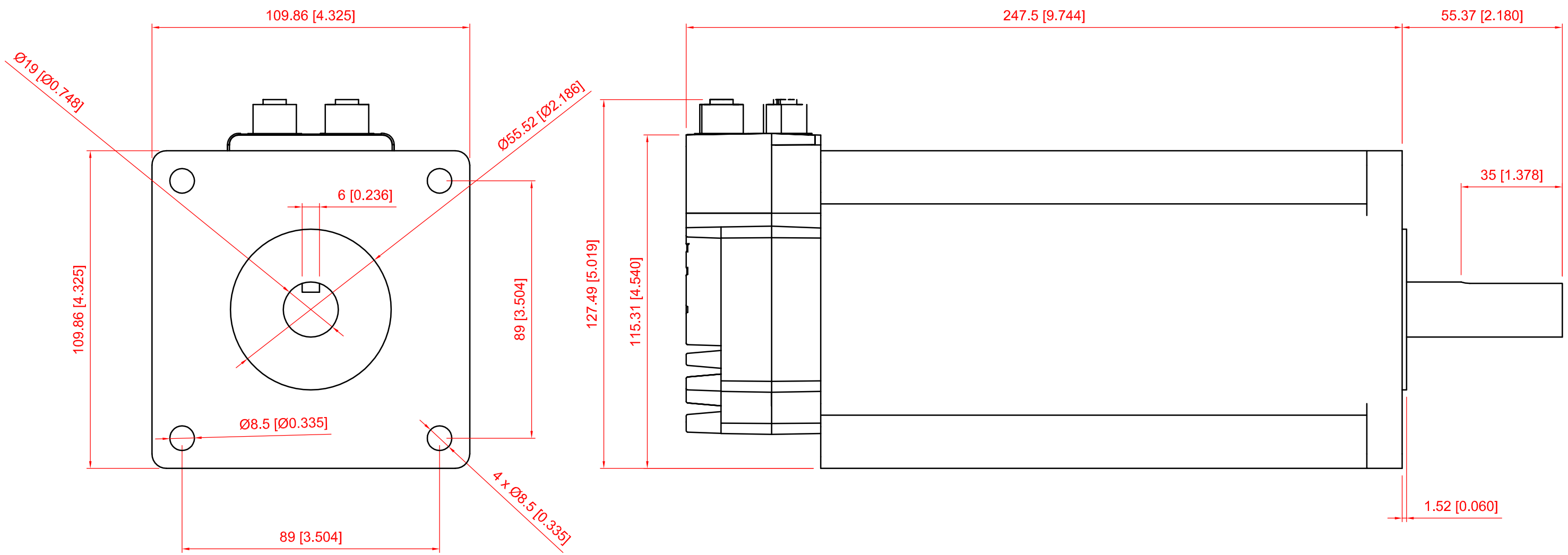


Ref. No.	Revision	Date	Sign.
-	-	-	-



Scale 1:1 A2		JVL Industri Elektronik, Integration in Motion Blokken 42 DK-3460 Birkedal, Denmark Phone: +45 45 82 44 40 Fax: +45 45 82 55 50 E-mail: jvl@jvl.dk http://www.jvl.dk	Draw No. -
Drawn by PCR	MIS432		
Date 081111			
Checked			
Approved			
	Draw No. -		